

AF 100/C 100

Cable Unwinder

AF 100 - Cod. 10001025
C 100 - Cod. 10001026



The **AF 100** is a counter-rotating belt pre-feeder which allows the cable cutting/stripping machine to be fed correctly and smoothly and without risk of damage to the cable.

An electronic control unit ensures automatic adjustment of the cable feed rate.

TECHNICAL DATA

Processable product

- Cable handled: single-core, multi-core, flat two-core, ribbon cable, flat cable, etc.
- Insulating material: PVC, Teflon, Silicone, etc.

Machine technical features

- Cable transport system: counter-rotating belts
- Cable feed rate: max. 3,000 mm/s (118 "/sec)
- Power supply: 230 Volt Single phase \pm 5% - 50/60 Hz
- Pneumatic supply:
 - min. 3.5 - max. 8 bar (from 51 to 116 PSI)
- Sound pressure level: \leq 60 dB
- Machine weight: approx. 100 kg (220 lbs)
- Machine dimensions:
 - (L) 1,680 mm x (W) 650 mm x (H) 1,500 mm
 - (L) 67" x (W) 26" x (H) 60"

Product dimensions

The values given are intended solely as guidelines and vary according to the type of cable and its construction characteristics.

AF 100

- Width of flat cable: max. 70 mm (2.75")
- ext. cable \varnothing : max. 27 mm (1.06")

AF 100 / C 100

- Ext. cable \varnothing (standard pulleys): max. 11 mm (.43")
- Ext. cable \varnothing (special pulleys): max. 18 mm (.71")

AF 100 - START/STOP

- Width of flat cable: max. 70 mm (2.75")
- Ext. cable \varnothing : max. 27 mm (1.06")

The **AF 100** pre-feeder can be provided in various versions on request.

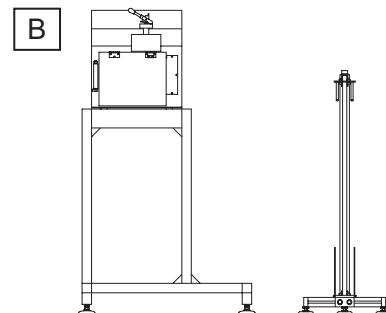
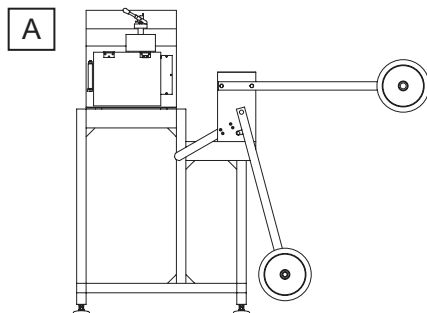
The main versions are the following:

AF 100 / C100 (A)

Pre-feeder combined with a storage pulleys unit for the cable (C 100). A mobile arm keeps the cable correctly tensioned and enables the AF 100 to start/stop.

AF 100 - START/STOP (B)

Pre-feeder combined with a unit equipped with sensors (START-STOP) which allows the AF 100 to start/stop when they detect the cable presence.



MAKFIL SYSTEM reserves the right to change the data in this catalogue without prior notice

Our agent:

MAKFIL SYSTEM

MAKFIL SYSTEM s.r.l

40016 S.Giorgio di Piano (BO) - Italy

Via dell'Artigiano, 12

TEL. +39-051-893445 - Fax +39-051-893694

Internet <http://www.makfil.it>